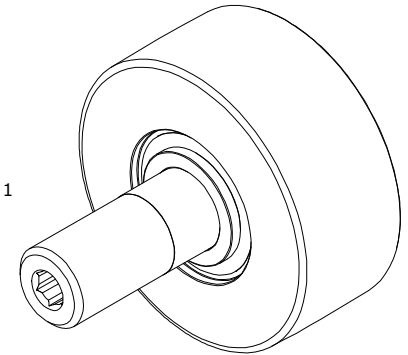
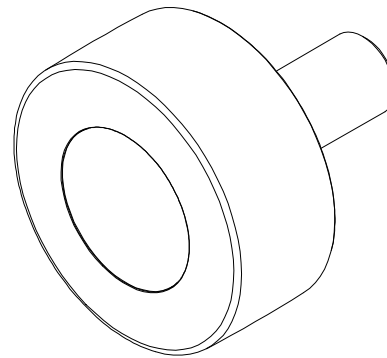


LOAD RATINGS	
RATING	Lbs
RADIAL BASIC DYNAMIC	14,200
DYNAMIC THRUST LOAD	13,000
MAXIMUM STATIC CAPACITY	26,000

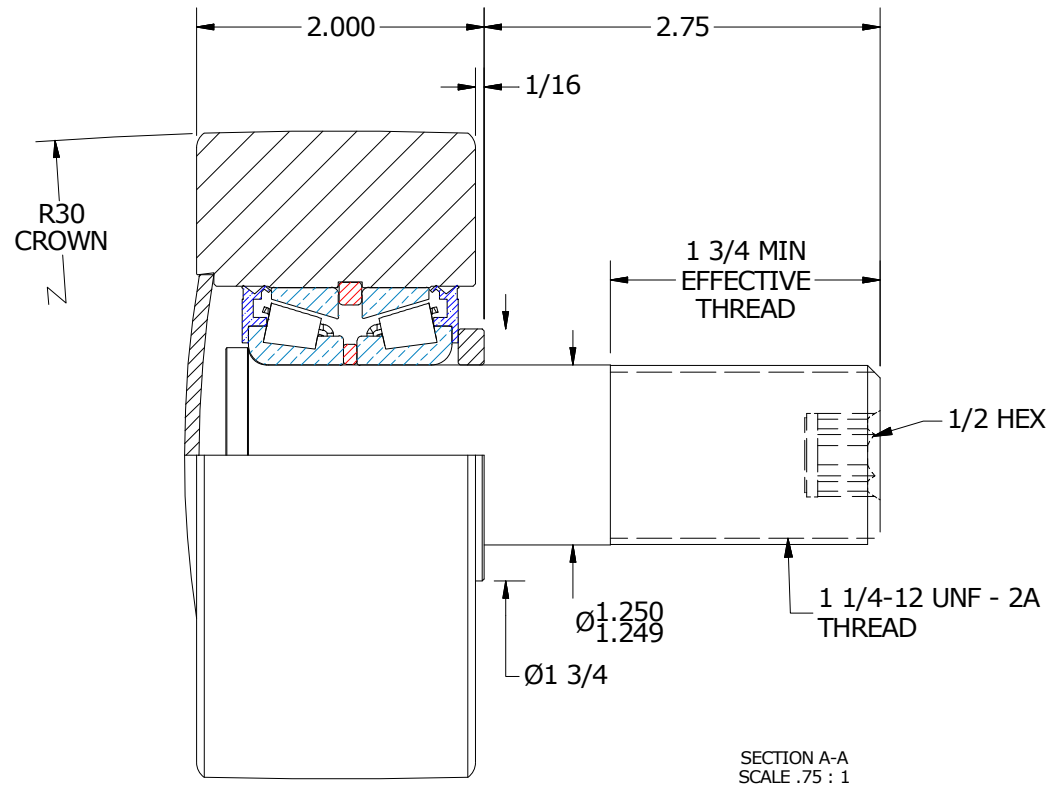
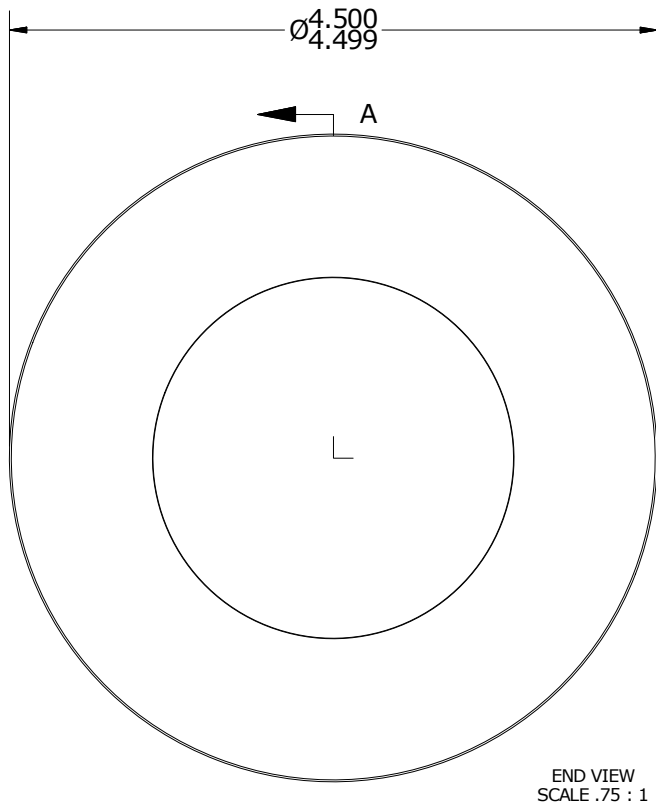
NOTES:

1. BEARING IS PACKED WITH NLGI GRADE 2, LITHIUM BASED GREASE
2. STUD, END CAP, & WASHER: ALL EXPOSED SURFACES HAVE BLACK OXIDE

MS NO.	NSN NO.	DRAWING NO.	CPHR-450-A
--------	---------	-------------	------------



ISO VIEWS
SCALE .375 : 1



MATERIAL NOTES:
 OUTER ROLLER - BEARING STEEL, HEAT TREATED
 STUD - COLD ROLLED STEEL
 BEARING ASSY - LM67000LA-902A2
 WASHER - COLD ROLLED STEEL
 END CAP - COLD ROLLED STEEL

CUSTOMER PART#
 XX = ± .01
 XXX = ± .005
 XXXX = ± .0005
 ANGLES = ± 1'
 INCH [METRIC]
 FRACTION = ± 1/32

CARTER MANUFACTURING IS NOT RESPONSIBLE FOR TYPOGRAPHICAL ERRORS

CARTER MANUFACTURING CO., INC.
 GRAND HAVEN, MICHIGAN 49417

ENGINEERING CHANGE ORDER NOTE

REVISION		PART NAME: ASSEMBLY					
A	AUTHOR BY HG	DRAWN BY SGW	CHK'D BY MD	SALES KR	MATERIAL NOTED		
REVISION BY SGW	DATE 5/14/2014	DATE 5/14/2014	DATE 5/14/2014	DATE 5/14/2014	SHEET 1 OF 2		