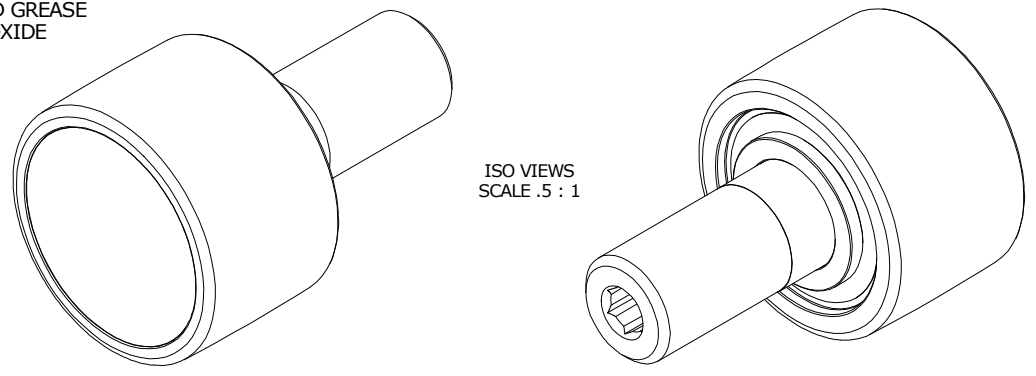
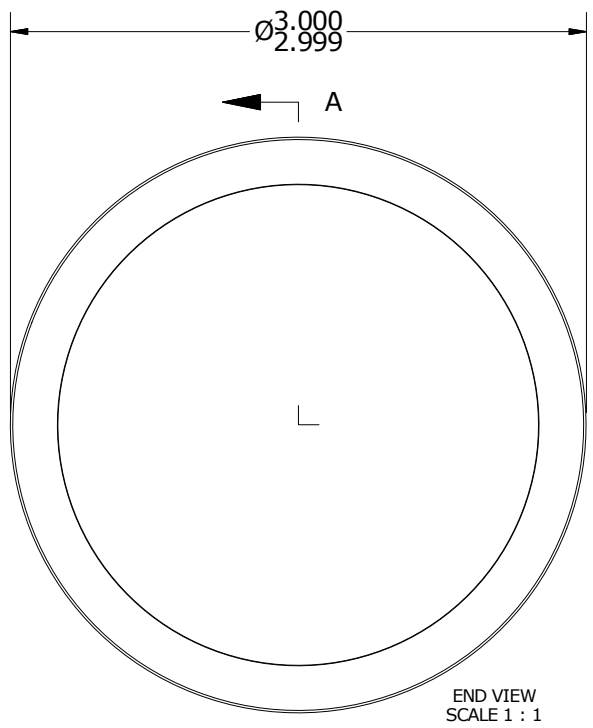


LOAD RATINGS	
RATING	Lbs
RADIAL BASIC DYNAMIC	14,200
DYNAMIC THRUST LOAD	13,000
MAXIMUM STATIC CAPACITY	26,000

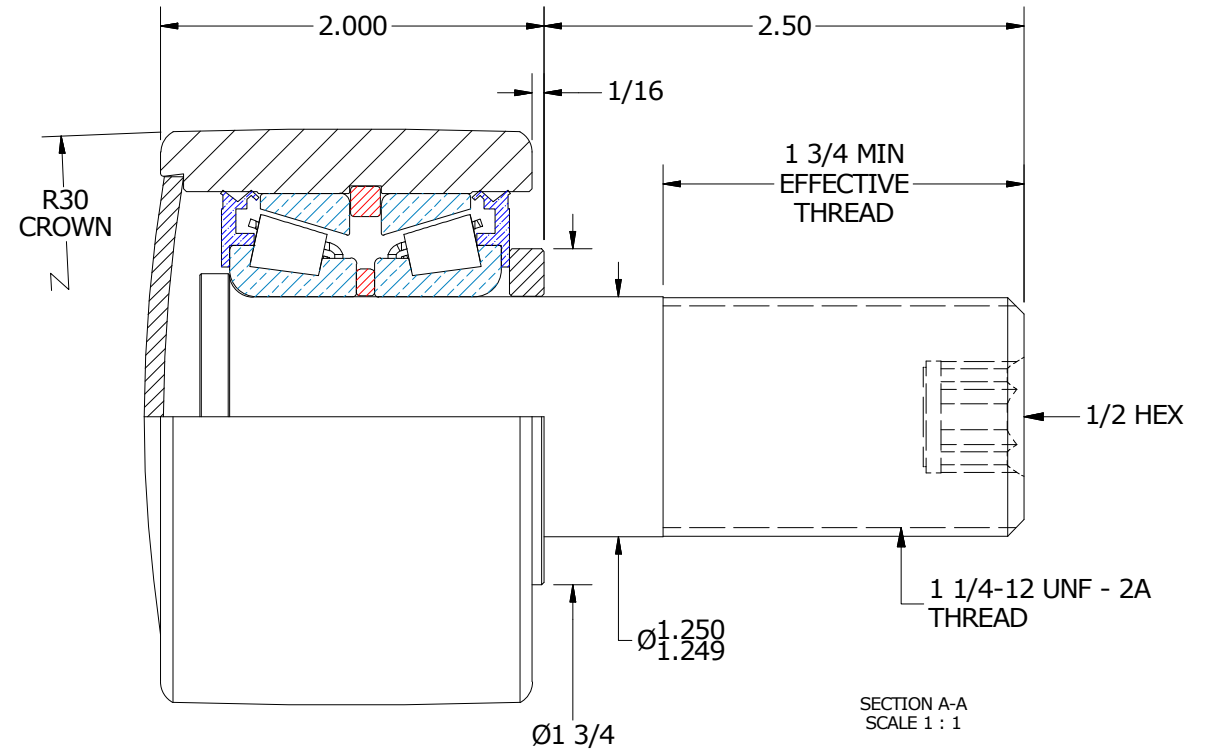
- NOTES:
 1. BEARING IS PACKED WITH NLGI GRADE 2, LITHIUM BASED GREASE
 2. STUD & WASHER: ALL EXPOSED SURFACES HAVE BLACK OXIDE



ISO VIEWS
SCALE .5 : 1



END VIEW
SCALE 1 : 1



SECTION A-A
SCALE 1 : 1

MATERIAL NOTES:
 OUTER ROLLER - BEARING STEEL, HEAT TREATED
 STUD - COLD ROLLED STEEL
 BEARING ASSY - LM67000LA-902A2
 WASHER - COLD ROLLED STEEL
 END CAP - COLD ROLLED STEEL

CUSTOMER PART# _____
 XX = ± .01
 XXX = ± .005
 XXXX = ± .0005
 ANGLES = ± 1'
 INCH [METRIC]
 FRACTION = ± 1/32

CARTER MANUFACTURING IS NOT RESPONSIBLE FOR TYPOGRAPHICAL ERRORS

CARTER MANUFACTURING CO., INC.
 GRAND HAVEN, MICHIGAN 49417

ENGINEERING CHANGE ORDER NOTE

REVISION		PART NAME: ASSEMBLY					
A	AUTHOR BY DB	DRAWN BY SGW	CHK'D BY MD	SALES KR	MATERIAL NOTED		
REVISION BY SGW	DATE 7/9/2012	DATE 7/9/2012	DATE 7/9/2012	DATE 7/9/2012	SHEET 1 OF 2		